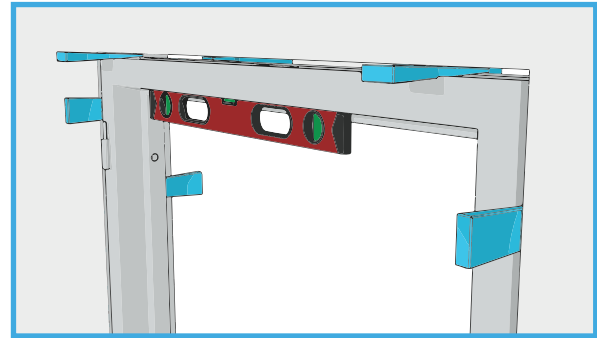
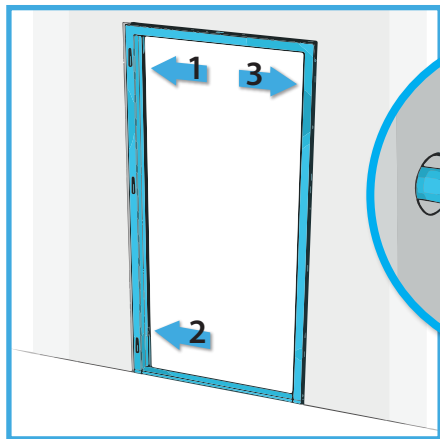


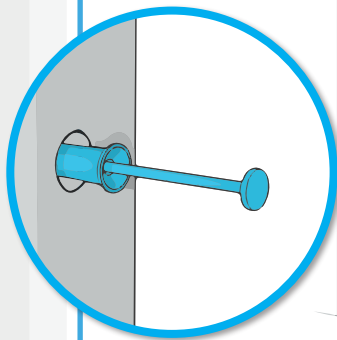
1 Measure door frame and opening. Opening should be 20-40mm wider and 10-20mm higher than door frame.



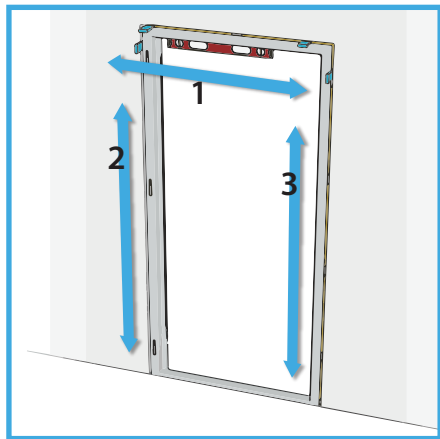
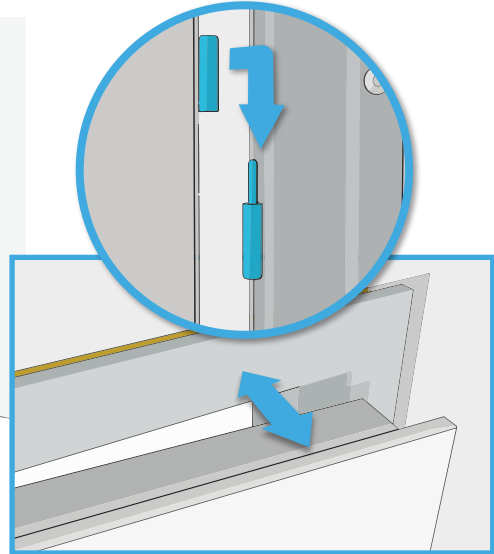
2 Fit door frame into place with shims and check frame levels with spirit level.



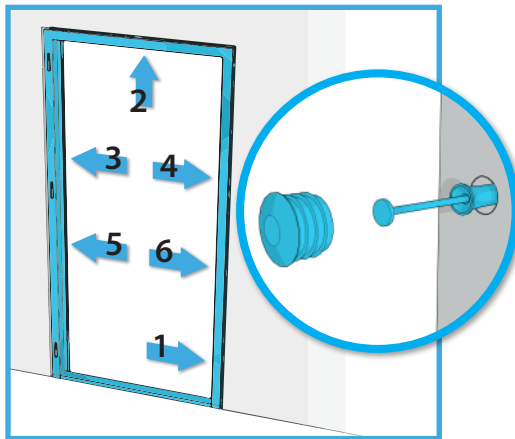
3 Fix first three screws as indicated in the picture.



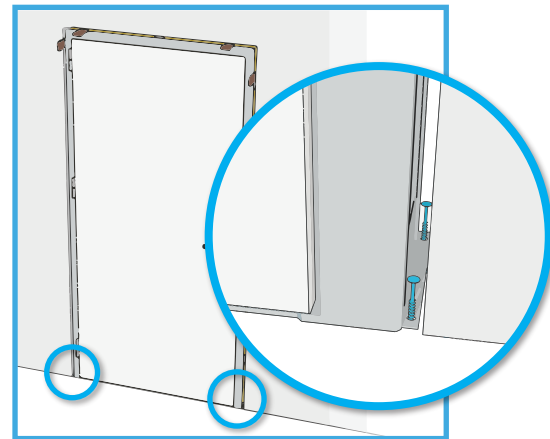
4 Fit doorleaf on hinges and check door clearance.



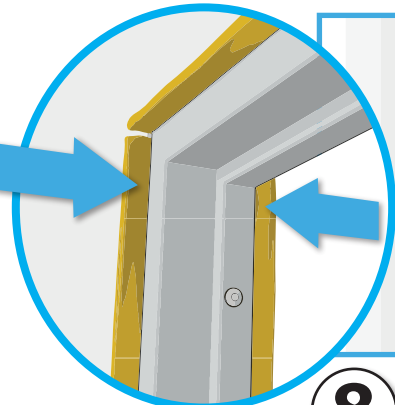
5 Recheck frame levels with spirit level as indicated in the picture



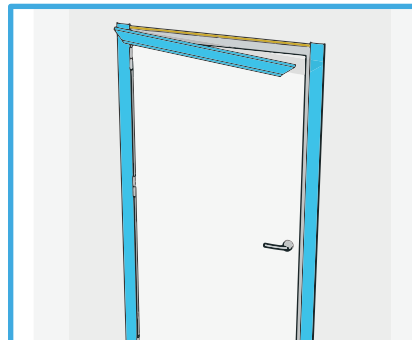
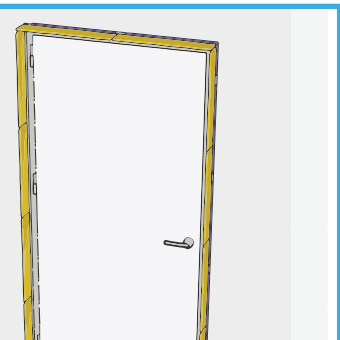
6 Fix remaining five screws as shown and close screw holes with plugs.



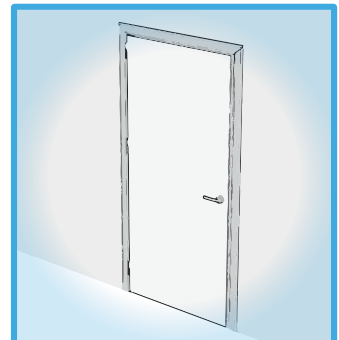
7 Secure door frame to floor between frame and wall



8 Insulate frame gap on all sides with Paroc extra mineral wool insulation and remove shims.



9 Measure and cut trims and fix them in place with screws or pop rivets.



10 Clean door and work area. The door is ready for use.